

Trimmers

My Dahle Since 1930



Dahle | Innovative Office Equipment

TRUSTED SINCE 1930

For 90 years Dahle has been recognized worldwide for developing innovative office products and equipment. Founded in 1930, Wilhelm Dahle first began producing steel cutting discs for pencil sharpeners. These early innovations lead to the development of the safest, most accurate trimmers in the industry. Throughout the years, Dahle's reputation and customer satisfaction have grown worldwide.

GERMAN

ENGINEERED

by Dahle





Dahle trimmers prove their worth with every cut. Self-sharpening blades, metal bases, and unique safety features ensure Dahle trimmers are highly accurate, long-lasting, and a pleasure to use.

Why Choose Dahle?

Precision

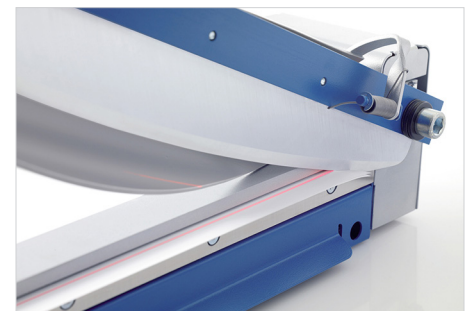
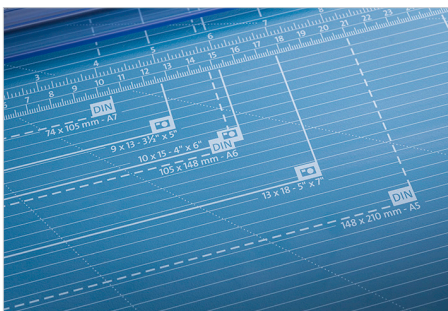
German engineering is baked into every Dahle product to ensure its highest performance. Whether you are trimming a photo, brochure, or stacks of business cards, rest assured you will get superior results.

Quality

All Dahle trimmers are factory tested using the strictest standards to ensure complete customer satisfaction. German design and quality materials ensure accuracy, durability, and peace of mind knowing you will experience many years of trouble-free operation.

Innovative

Dahle continues to lead the industry in safety, design, and operation. Rotating safety shields, self-sharpening blades, and automatic clamping systems are just a few features that give our products the edge over the competition.





Special Features

Self-Sharpening Blade - Rotary



- Sharpens as you cut
- Stays perfectly honed
- Extends the life of the blade

Self-Sharpening Blade - Guillotine



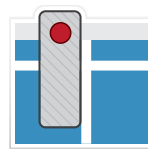
- Sharpens as you cut
- Stays perfectly honed
- Extends the life of the blade

Automatic Paper Clamp



- Compresses work as you cut
- Holds work firmly but gently
- Prevents slipping and fanning

Adjustable Alignment Guide



- Assists with measuring and accuracy for repetitive cuts
- Magnetic backstop for aligning

Durable Metal Base



- Provides a stable foundation
- Will never warp or crack
- Ensures trimmer longevity

Laser Guide



- Bright beam illuminates cut line
- Provides exceptional accuracy
- Lifetime warranty

German Engineered



- Over 90 years of experience
- Latest technology & design
- Trouble-free guarantee



Applications

Cardstock	Matboard (4 ply)	Photo Paper (all finishes)	Laminated Paper (1.5 mil)	Illustration Board (14 ply)	Canvas (8.5-13 oz.)	Polyester CPF Banner (7.5 mil)	Matte Synthetic Media (10 mil)	PVC Banner Material (12 mil)	Polyester w/PET Liner (2 mil)	Polypropylene w/X-Glass 90# Liner (2 mil)	Vinyl w/Removable Adhesive 90# (3.25 mil)	Wall Graphics Media w/Liner (6 mil)	Blockout Banner Material (8 mil)	Magnet w/PSA (30 mil)	HD Binding Board (67 pt)	Chipboard (70 pt)
-----------	------------------	----------------------------	---------------------------	-----------------------------	---------------------	--------------------------------	--------------------------------	------------------------------	-------------------------------	---	---	-------------------------------------	----------------------------------	-----------------------	--------------------------	-------------------

Rotary Trimmers

Personal - up to 18"	●		●	●		●	●	●	●	●	●	●	●			
Professional - up to 51"	●		●	●		●	●	●	●	●	●	●	●			
Premium - up to 72"	●	●	●	●	●	●	●	●	●	●	●	●	●		●	

Guillotines

Vantage® - up to 18"	●		●	●		●	●	●	●	●	●	●	●	●		
Professional - up to 18"	●		●	●		●	●	●	●	●	●	●	●	●	●	●
Premium - up to 27"	●	●	●	●	●	●	●	●	●	●	●	●	●	●	●	●
Workshop - up to 43"	●	●	●	●	●	●	●	●	●	●	●	●	●	●		●
Stack Cutters - up to 18"	●		●													

* Dahle trimmers are not recommended for trimming foam core, Gator board, or expanded PVC and polystyrene



Rotary Trimmers

Precision and control for fine trimming

Personal Series

These lightweight, portable trimmers offer precision and control for trimming documents, cropping photos and cutting a variety of papers for creative projects. Ideal for the office, school, and home where an accurate, reliable trimmer is needed.

Professional Series

With a self-sharpening blade and dual-barrel guide bar, these ultra-precise trimmers are designed for extreme accuracy. Available in five sizes, these trimmers can cut the thinnest sliver of material and are ideal for trimming photos, fine art, and press sheets.

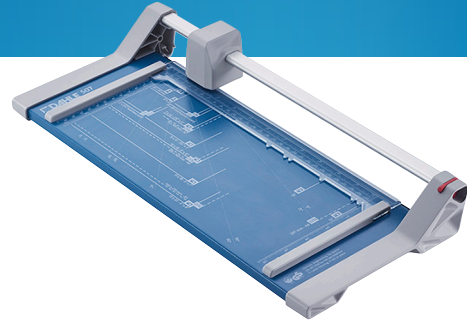
Premium Series

Featuring a dual-cylinder guide bar, these heavy duty trimmers are ultra-precise and designed for powering through larger amounts of paper and thicker material. The trimmer's self-sharpening blade remains consistently sharp and always ready to cut.

Personal Series

Lightweight precision trimmer for general use and creative projects.

- Self-sharpening blade cuts in both directions
- Triangular aluminum guide bar for strength and stability
- Automatic clamp holds work securely and prevents shifting
- Ground steel blade is encased in protective housing for safety
- Sturdy metal base provides a solid foundation
- Screened inch, metric and angled guides for easy alignment
- German engineered for precision and accuracy



Model	Cut Length	Capacity
507	12"	7 Sheets
508	18"	7 Sheets



Self Sharpening



Automatic Clamp



Metal Base

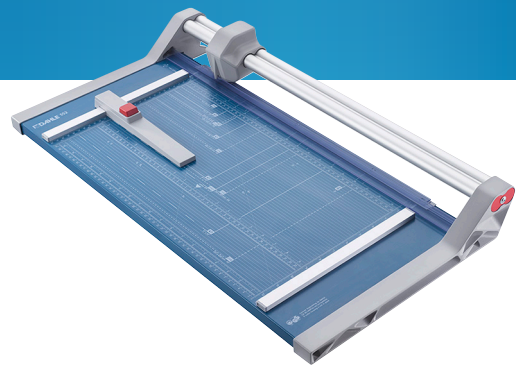


German Engineered

Professional Series

Ultra-precise trimmer for extremely accurate results.

- Self-sharpening blade cuts in both directions
- Dual-barreled aluminum guide bar for strength and accuracy
- Automatic clamp holds work securely and prevents shifting
- Ground steel blade is encased in protective housing for safety
- Sturdy metal base with non-slip rubber feet
- Screened inch, metric, and angled guides for easy alignment
- German engineered for precision and accuracy



Model	Cut Length	Capacity
550	14"	20 Sheets
552	20"	20 Sheets
554	28"	20 Sheets

Model	Cut Length	Capacity
556	37"	14 Sheets
558	51"	12 Sheets



Self Sharpening



Automatic Clamp



Alignment Guide



Metal Base



German Engineered

Premium Series

Ultra-precise trimmer for heavier duty applications.

- Self-sharpening blade cuts in both directions
- Dual-walled aluminum guide bar for strength to trim thicker material
- Automatic clamp holds work securely and prevents shifting
- Ground steel blade is encased in protective housing for safety
- Sturdy metal base provides a solid foundation
- Screened inch, metric, and angled guides for easy alignment
- German engineered for precision and accuracy



Model	Cut Length	Capacity
440	14"	30 Sheets
442	20"	30 Sheets
444	26"	25 Sheets

Model	Cut Length	Capacity
446	36"	22 Sheets
448	51"	20 Sheets
472	72"	12 Sheets



Self Sharpening



Automatic Clamp



Alignment Guide



Metal Base



German Engineered



Guillotines

Powerful precision for heavier duty applications

Vantage® Series

Whether you are cutting a single sheet of paper or fifteen at a time, these traditional cutters are ideal for everyday use. Trim documents, crop photos, and cut a variety of materials for creative projects. Ideal for the office, school, and home where a sturdy, reliable trimmer is needed.

Professional Series

When you need a heavier duty cutter with a higher sheet capacity, these guillotines won't let you down. They can accurately trim up to 25 sheets of paper cleanly without trouble. Ideal for the office, school, or art studio where they stand up superbly to frequent use.

Premium Series

These ultra-precise cutters have it all - safety, power, accuracy, capacity, and reliability. The unique rotating guard surrounds the blade in safety while you trim the thinnest sliver off a photograph or cut smoothly through 35 sheets of paper.

Vantage® Series

A great everyday cutter for general use and creative projects.

- Machine ground blade ensures sharp edge and consistent results
- Automatic clamp holds work securely and prevents uneven cutting
- Tension spring automatically lifts blade and prevents it from falling
- Sturdy metal base provides a solid foundation
- Screened guides for easy alignment
- Adjustable alignment guide for repetitive cutting
- Handle can be secured when not in use



Model	Cut Length	Capacity
12e	12"	15 Sheets
15e	15"	15 Sheets
18e	18"	15 Sheets



Professional Series

Highly accurate cutter for heavier duty applications.

- Self-sharpening cutting system maintains a perfectly honed blade
- Protective shield keeps fingers safe and holds work in place
- German steel blade is machine ground to the ideal trimming edge
- Blade will safely hold any angle and won't fall down unexpectedly
- Sturdy metal base provides a solid foundation that won't warp or crack
- Screened inch, metric, and angled guides for easy alignment
- German engineered for precision and accuracy



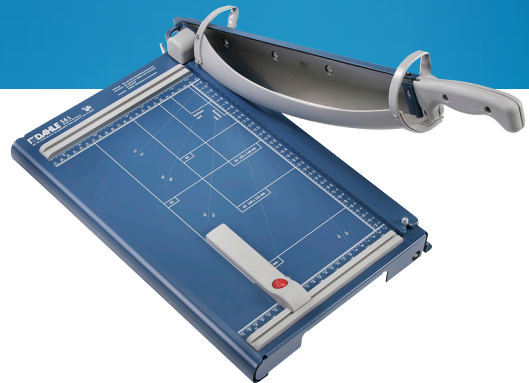
Model	Cut Length	Capacity
533	13"	15 Sheets
534	18"	15 Sheets
560	13"	25 Sheets



Premium Series

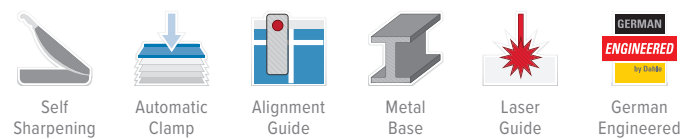
Ultra-precise cutter for heavy-duty applications.

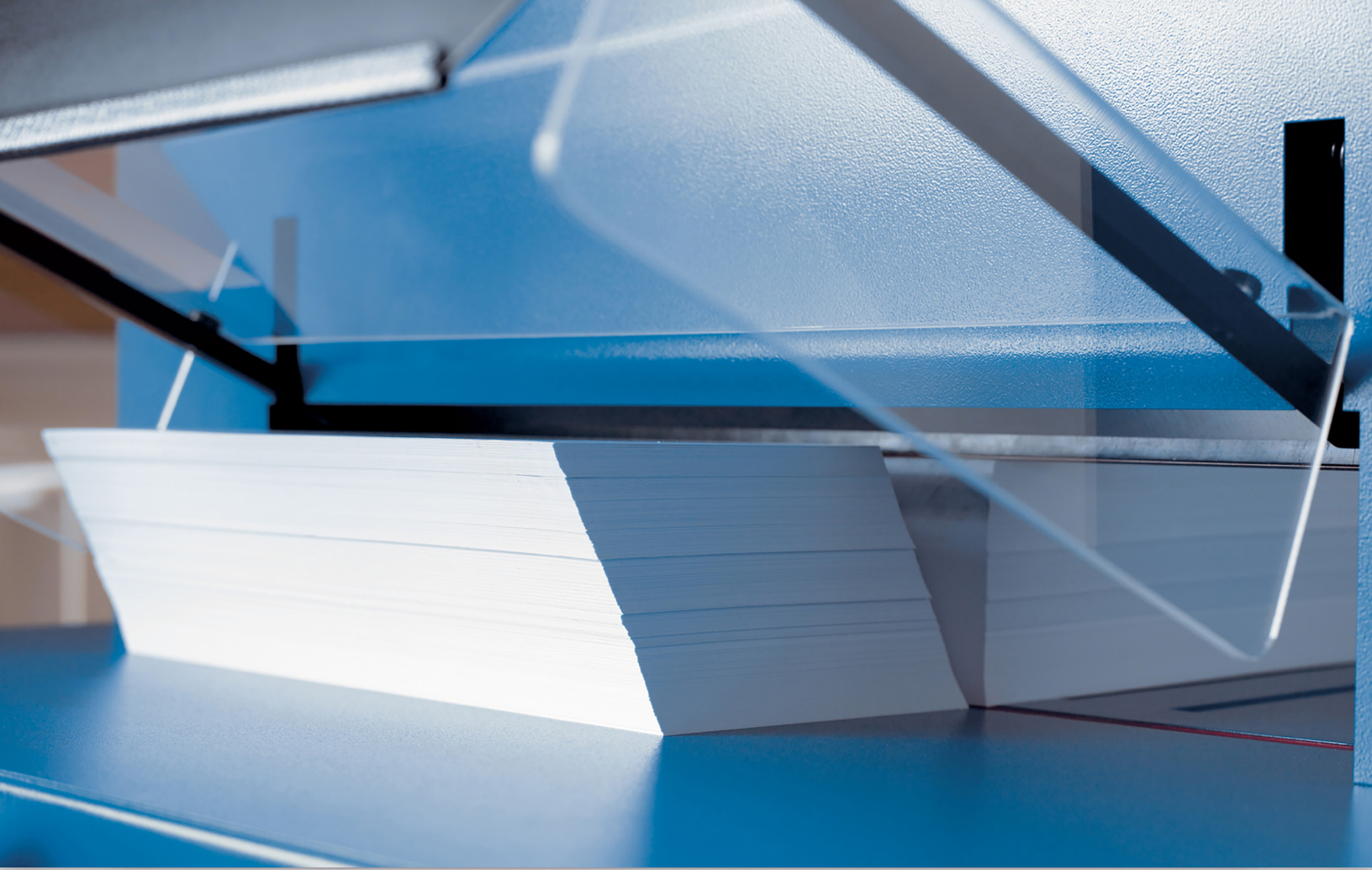
- Self-sharpening cutting system maintains a perfectly honed blade
- Rotating protective guard keeps fingers safe and prevents injury
- Metal clamp holds work securely and prevents shifting
- German steel blade is machine ground to the ideal trimming edge
- Blade will safely hold any angle and won't fall down unexpectedly
- Sturdy metal base provides a solid foundation that won't warp or crack
- German engineered for precision and accuracy



Model	Cut Length	Capacity
561	14"	35 Sheets
564	14"	40 Sheets
565	15"	35 Sheets

Model	Cut Length	Capacity
567	21"	35 Sheets
569	27"	35 Sheets





Large Format

Commercial grade trimmers with outstanding precision and capacity

Large Format Rotary Trimmers

Experience smooth, clean cuts and superior control with these large rotary trimmers. With cut lengths of up to 72", they offer the stability and precision necessary for accurately trimming oversized projects. Trusted by print shops and photographers, they are ideal for large banners, posters, and photos.

Large Format Guillotines

These commercial-grade trimmers offer the extra cutting length and power you need for heavy-duty applications. They are designed to easily cut through multiple sheets and thicker materials. These accurate, sturdy guillotines are found in print shops, printing departments, and manufacturing environments.

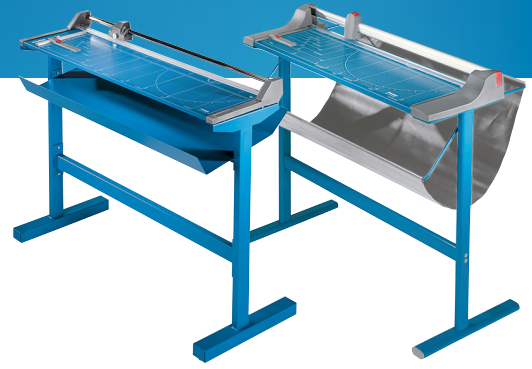
Stack Cutters

Get more done in less time by cutting stacks of up to 700 sheets with minimal effort. Built-in safety mechanisms prevent you from lowering the blade until the safety shield is down. Then you can trim brochures, flyers, business cards, and documents accurately and cleanly.

Large Format Rotary Trimmers

Precision and control for trimming oversized banners, posters, and photos.

- Self-sharpening blade cuts in both directions
- Automatic clamp holds work securely and prevents shifting
- Space-saving steel stand with paper catch for optimal cutting height
- Ground steel blade is encased in protective housing for safety
- Screened inch, metric, and angled guides for easy alignment
- Sturdy metal base provides a solid foundation
- German engineered for precision and accuracy



Model	Cut Length	Capacity
556s	37"	14 Sheets
558s	51"	12 Sheets

Model	Cut Length	Capacity
446s	36"	22 Sheets
448s	51"	20 Sheets
472s	72"	12 Sheets



Self Sharpening



Automatic Clamp



Alignment Guide



Metal Base



German Engineered

Large Format Guillotines

Extra cutting length and power for multiple sheets and thicker materials.

- Self-sharpening cutting system maintains a perfectly honed edge
- Acrylic safety shield keeps fingers safe and prevents injury
- German steel blade is machine ground to the ideal trimming edge
- Screened inch, metric, and angled guides for easy alignment
- Manual foot clamp holds work securely and prevents shifting
- Lockable blade won't fall unexpectedly and prevents unauthorized use
- German engineered for precision and accuracy



Model	Cut Length	Capacity
580	32"	30 Sheets
585	43"	30 Sheets



Self Sharpening



Automatic Clamp



Alignment Guide



Metal Base



Laser Guide

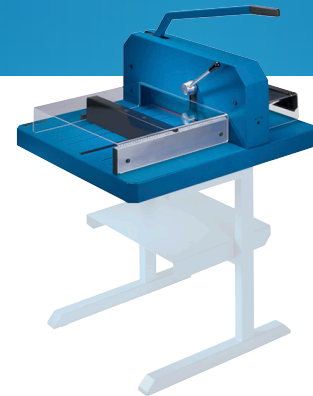


German Engineered

Stack Cutters

Power and precision for trimming hundreds of sheets with minimal effort.

- Machine ground blade ensures precision trimming
- Built-in safety guard keeps fingers safe and prevents injury
- Quick-action clamp holds work securely and evenly
- Screened guides for easy alignment
- Spindle-driven backstop for extreme accuracy and repetitive cuts
- Optional steel stand available for proper height and leverage
- German engineered for precision and accuracy



Model	Cut Length	Capacity	Floor Stand
842	16.88"	200 Sheets	Item 712
846	16.88"	500 Sheets	Item 712
848	18.63"	700 Sheets	Item 718



Alignment Guide



Metal Base



German Engineered

The Dahle Advantage

what sets us apart

Self-Sharpening Blade

cuts in either direction and encased in protective housing

Dual-Barrel Guide Bar

provides stability for cutting thicker materials

Alignment Guides

features screened guides and an adjustable alignment guide

Automatic Clamp

holds work securely to prevent shifting while trimming

Sturdy Metal Base

provides a stable foundation and will never warp or crack



Dahle North America, Inc.
49 Vose Farm Road
Peterborough, NH 03458
Tel. (800) 995-1379
info@dahle.com



www.dahle.com

A company of the emco Group

